



US00D479477S

(12) **United States Design Patent**
Pereczon

(10) **Patent No.:** **US D479,477 S**

(45) **Date of Patent:** **** Sep. 9, 2003**

(54) **PENCIL HOLDER ATTACHED TO A TAPE MEASURE**

5,172,486 A * 12/1992 Waldherr 33/770
5,477,619 A * 12/1995 Kearns 33/668
D390,795 S * 2/1998 LaFrance D10/74
D463,301 S * 9/2002 Martz et al. D10/74

(76) **Inventor:** **Tal Pereczon**, 6461 Hayvenhurst Ave.,
Van Nuys, CA (US) 91406

* cited by examiner

(**) **Term:** **14 Years**

Primary Examiner—Martie K. Holtje
(74) *Attorney, Agent, or Firm*—Albert O. Cota

(21) **Appl. No.:** **29/155,275**

(22) **Filed:** **Feb. 8, 2002**

(57) **CLAIM**

(51) **LOC (7) Cl.** **10-04**

The ornamental design for a pencil holder attached to a tape measure, as shown and described.

(52) **U.S. Cl.** **D10/74; D19/84**

(58) **Field of Search** D19/35, 36, 65,
D19/75, 77, 81-85; D10/71, 72, 74; 33/27.03,
668, 768, 769, 770

DESCRIPTION

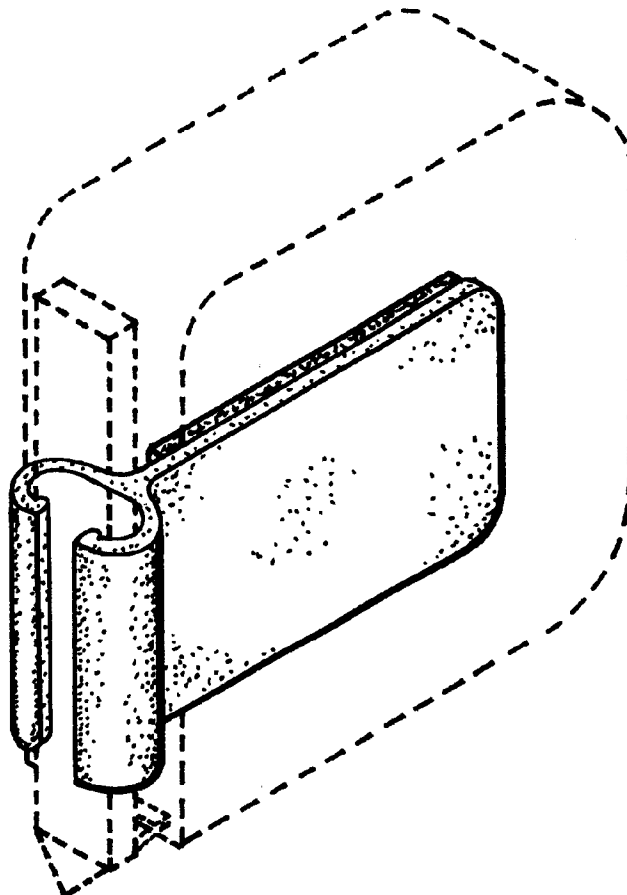
(56) **References Cited**

U.S. PATENT DOCUMENTS

2,807,886 A * 10/1957 Aciego 33/668
3,148,455 A * 9/1964 Aciego 33/668
3,802,083 A * 4/1974 Freed 33/668
4,015,337 A * 4/1977 Taylor 33/668
4,760,648 A * 8/1988 Doak et al. 33/668
4,914,830 A * 4/1990 Legare 33/668
4,964,225 A * 10/1990 Waldherr 33/768
5,154,006 A * 10/1992 Wooster 33/768

FIG. 1 is a perspective view of a pencil holder attached to a tape measure showing my new design. The tape measure and pencil are shown in broken lines for illustrative purposes only and form no part of the claimed design;
FIG. 2 is a perspective view thereof;
FIG. 3 is a right side elevational view thereof;
FIG. 4 is a left side elevational view thereof;
FIG. 5 is a top plan view thereof, the bottom view being a mirror image;
FIG. 6 is a front elevational view thereof; and,
FIG. 7 is a rear elevational view thereof.

1 Claim, 2 Drawing Sheets



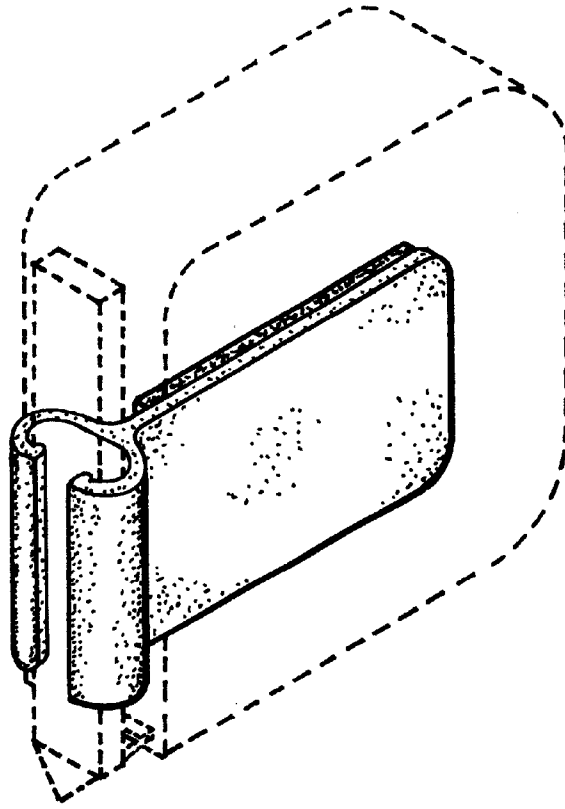


Fig. 1

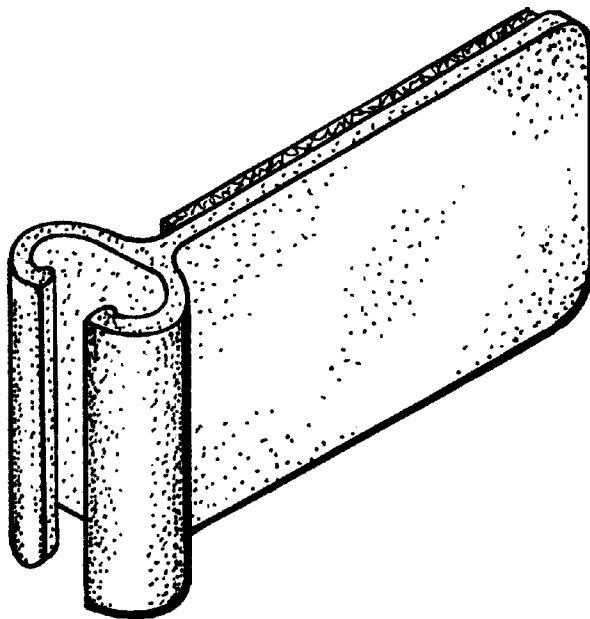


FIG. 2

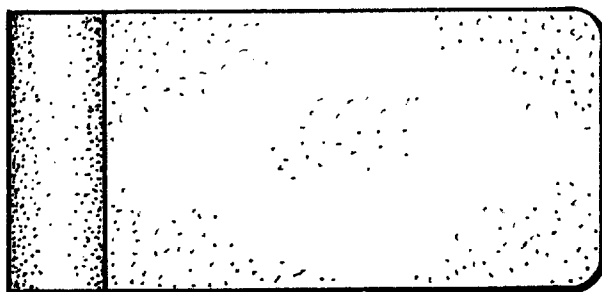


Fig. 3

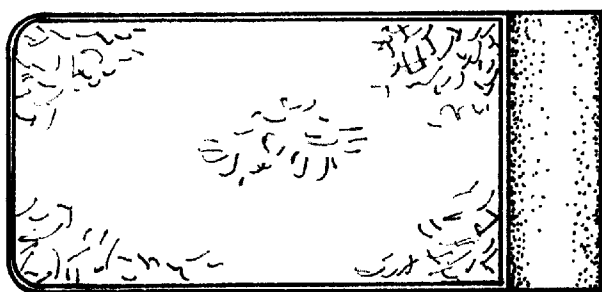


Fig. 4



Fig. 5

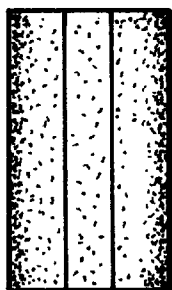


Fig. 6

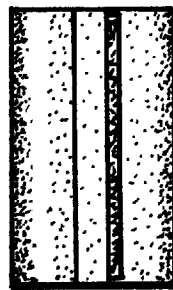


Fig. 7